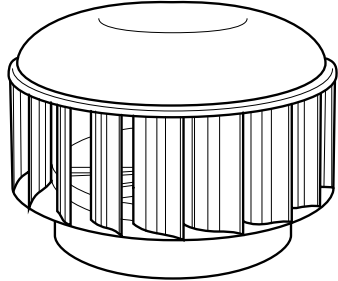


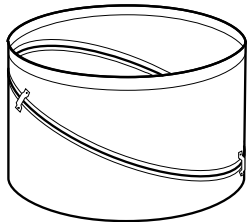
Hurricane *ecopower*

Contents of Package:

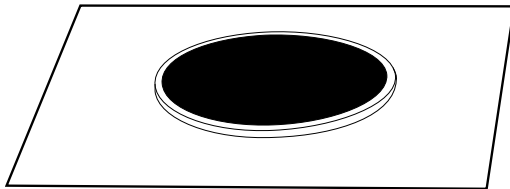
Turbine



Varipitch / Throat



Flashing



Also:
2 x Fixing Straps
Warranty
Installation Instructions

NOTE: The *ecopower* does not contain a control device.

Installation Instructions

Prior to Installation

- Check all components are in the carton.
- It is advisable to test the *ecopower* turbine, this can be done by connecting it to a power supply. **NOTE: A qualified electrician must do this.**

Warning: Do not attempt to install unit when power is connected. Turbine will spin.

Metal Roof (Corrugate, Cliplock, Trim Deck, etc) Under Ridge Installation

Step 1

Select the appropriate positions on roof as referred to in (Fig 1): place the base flashing under the ridge capping. Note: When selecting the position of the vent, the means of weather proofing needs to be taken into account, the most efficient means is to locate the flashing under the ridge cap.

Step 2

Ensure that the base flashing covers the corrugations or ribs equally, then mark a circle using the base as a template. Cut hole. Once the hole has been cut, turn up the corrugations or pans and secure the flashing to the roof (for number of fasteners see table 1). It is recommended that an infill be used on the low side of the flashing. Coat all fasteners with silicon to ensure weatherproof.

Step 3

When a varipitch base is being used. Sit the varipitch on the flashing and rotate the top and bottom halves until the top of the varipitch is horizontal, it is recommended that a level be used. Secure the two halves of the varipitch by inserting self tapping screws into the fixing straps. Run a bead of silicon around the inside of the varipitch seam.

Step 4

Place the varipitch on the flashing and double check the level. Fix the varipitch to the flashing (for number of fasteners see table 1).

Step 5

Fit the turbine to the varipitch. Check that it is level and adjust by tilting if necessary. Fasten the turbine to the top of the varipitch (for number of fasteners see table 1).

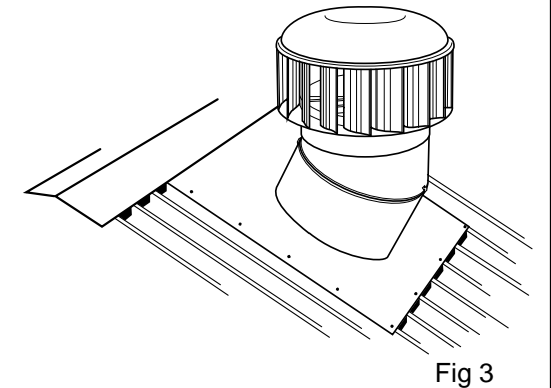
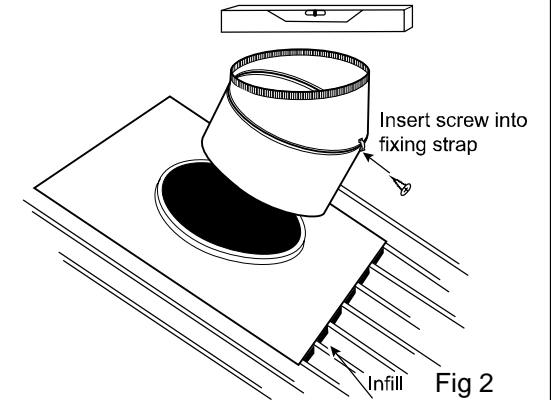
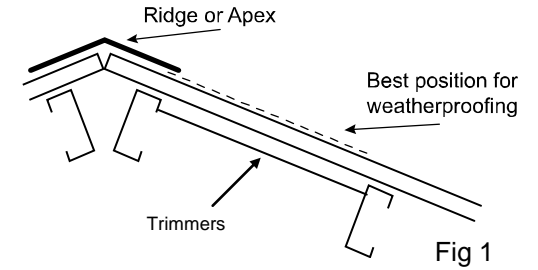
NOTE:

If the purlins in the roof are spaced greater than 600mm apart, trimmers will need to be installed. Install the trimmers between the purlins directly below the *ecopower* (Fig 1), do not cover the opening (Fig 2). **It is advised** that the trimmers are installed at the same time as the power point for the *ecopower* is installed.

Wiring

The *ecopower* must be wired by a qualified electrician

Black	Active
Blue	Neutral
Green / Yellow	Earth



Unit Size	Number of Fasteners Required.		
	Min size: 10 gauge Tek screw or 1/8" Rivet		
	Head to Varipitch	Varipitch to Flashing	Flashing to Roof (Locate 4 close to Varipitch)
400mm	6	6	12
600mm	9	9	16